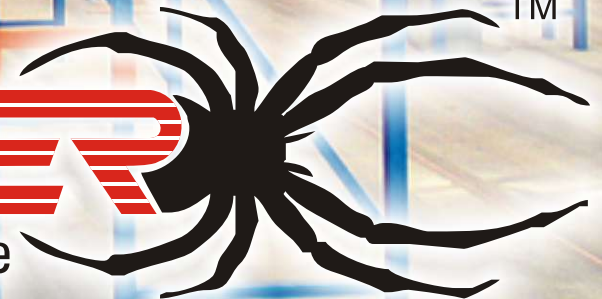


**We are Committed to Customer Satisfaction**

**SPIDER**

Multi Range of Storage



TM



# Profile

With great pleasure, we **DARSHAN INDUSTRIES** introduce ourselves as one of the leading Multi Range of Storage Systems

**DARSHAN INDUSTRIES** manufactures and suppliers of huge range of All Types of **Multi Range of Storage Systems** suitable for a wide variety of users. Our range includes





# Product Range





## Quality Policy



It Is Our Objective To Deliver Quality Products And Service. As Per Customer Requirements And To Their Best Satisfaction It Is Also Our Objective To Build The Organization Of Repute To Meet This Our Efforts Shall Be:

- To Improve Products Process And Systems.
- To Bring Technological Improvement And Cost Effectiveness.
- To Deliver To Products On Time.
- To Eliminate Customer Complains And.
- To Enhance Employees Capability Through Training.



## Vision

The VISION inspired DARSHAN INDUSTRIES Group ensures strict adherence to quality standard at each and every stage of operation. The group has translated its commitment to quality into clear objectives where strategies and plans are shared by the entire organization.



## Our Valued Customer



Mercedes-Benz



# Slotted Angle Shelving

## Features

- Suitable for low-rise shelving.
- A finger force by a person is sufficient to move the drive train.
- A floor lock, secures the fixed and mobile blocks and prevents pilferage.
- Accidental movement is prevented through an aisle lock.
- Powder coated

## Users

- Industrie
- Offices Warehousing
- Pharma Industries
- Logistic Comanies
- Library
- Hospitals
- Educational Institutes
- Other

## Benefits

- Filling Cabines
- Light-Weight multiple Product Storage
- Storage of Expensive items





# Slotted Angle Shelving



[www.storagedi.com](http://www.storagedi.com)



# Bins Rack





# Tools & Filing Rack



# Heavy Duty Storage

## Features

- Available in wide range of sizes and duties
- Easily configured to meet your load volume, weight and handling requirements
- Adjustable beam levels for varying pallet heights
- Aisles designed for counter balance or reach truck operations

## Users

- Industries
- Educational Institutes (Tutorials)
- Automotive Components
- Pharma Industries
- Supermarkets
- Warehousing
- Logistic companies
- Others

## Benefits

- Offers easy accessibility to pallets  
Easily manages non-uniform loads  
Easily installed whilst its versatility makes it a cost effective solution.
- Does not require specialist truck training





# Heavy Duty Storage



# Pallet Racking

## Features

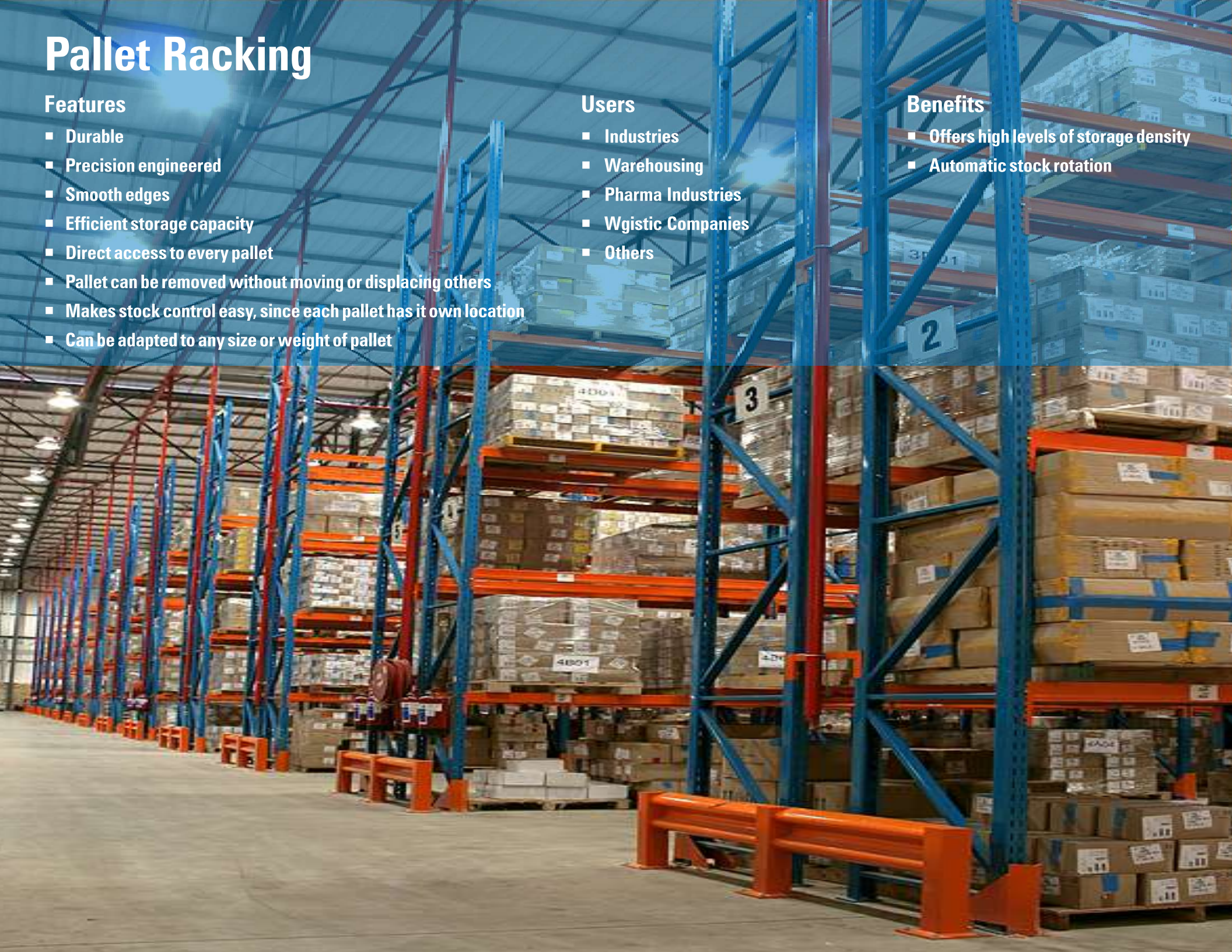
- Durable
- Precision engineered
- Smooth edges
- Efficient storage capacity
- Direct access to every pallet
- Pallet can be removed without moving or displacing others
- Makes stock control easy, since each pallet has its own location
- Can be adapted to any size or weight of pallet

## Users

- Industries
- Warehousing
- Pharma Industries
- Logistic Companies
- Others

## Benefits

- Offers high levels of storage density
- Automatic stock rotation





# Mezzanine Floors

## Features

- A strong stable new floor to hold additional storage
- Can be designed to offer the greatest clear space on the ground for additional activities / storage

## Users

- Industrie
- Pharma Industries
- Warehouse
- Logistic Companies
- Others

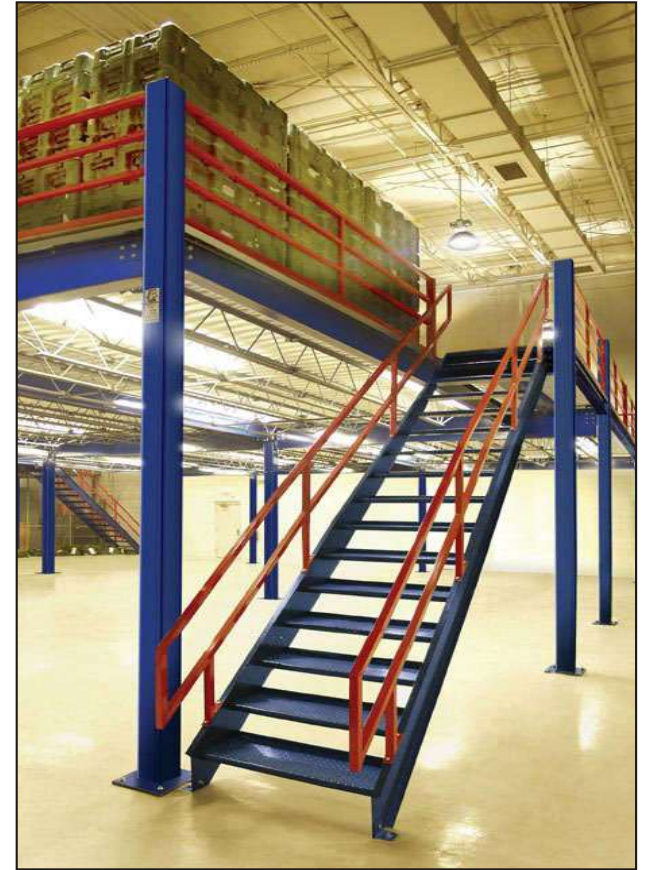
## Benefits

- Enable you to maximise the usable night within your warehouse
- Reduces cost of Construction by allowing efficient use of space
- No extra costs for heat, light, or Air conditioning
- Can be easily enlarged, modified, or moved
- Two tier wide space racks
- Gives additional space without adding ratable value to your property.





# Mezzanine Floors



# Two-Tier Racking

## Features

- A strong stable new floor to hold additional storage
- Can be designed to offer the greatest clear space on the ground for additional activities/storage

## Users

- Industries
- Pharma Industries
- Warehousing
- Logistic companies
- Others

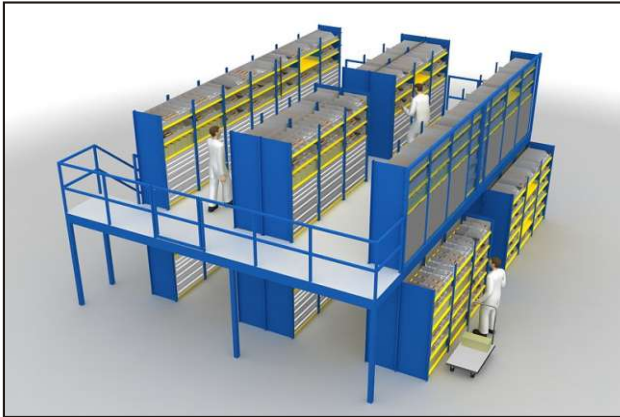
## Benefits

- Enables you to maximise the usable height within your warehouse
- Reduces Cost of Construction by allowing efficient use of space
- No extra costs for heat, lights, or air conditioning
- Can be easily enlarged, modified, or moved
- Two tier wide space racks
- Gives additional space without adding ratable value to your property





# Two-Tier Racking





# Mould Holder Racking



[www.storagedi.com](http://www.storagedi.com)



# Mould Holder Racking





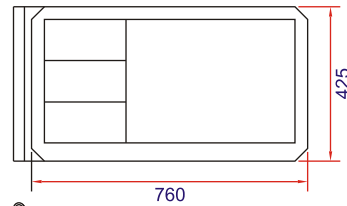


# Paper Roll Rack

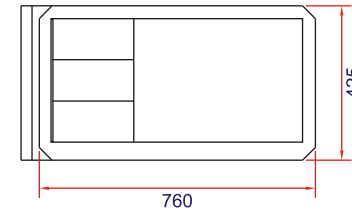
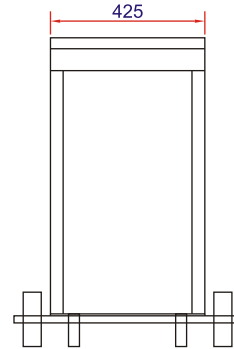
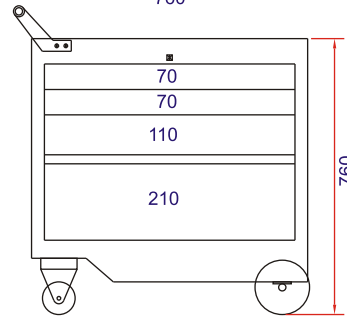




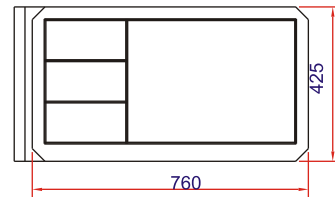
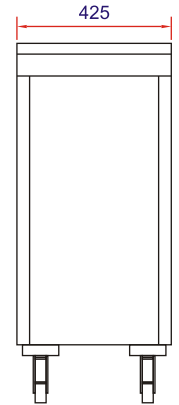
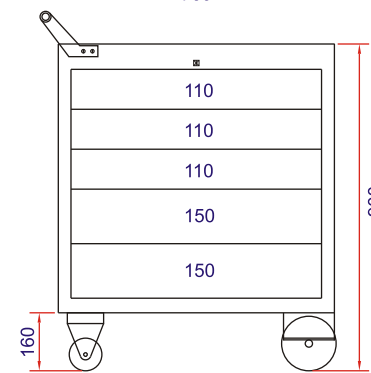
# Tools Trolley



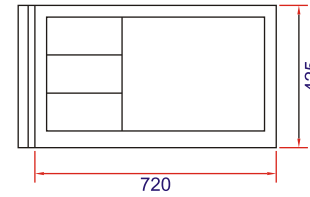
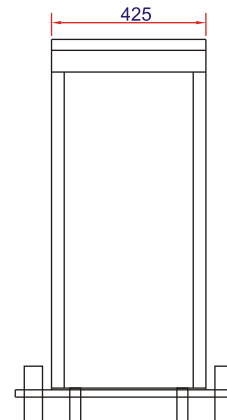
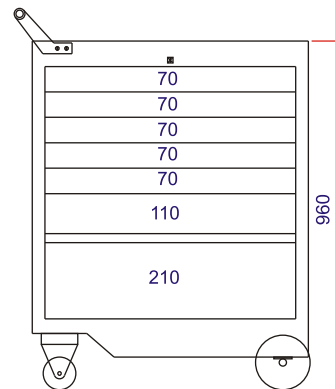
MODEL : 3 DC



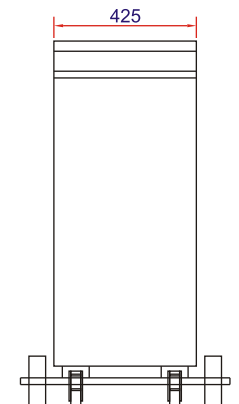
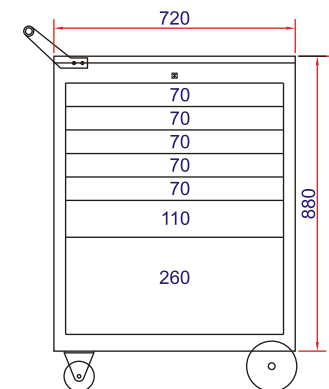
MODEL : 5D



MODEL : 6 DC



MODEL : SQUARE 7 D





# Lockers



## Our Stander Model :

Locker	Outer Dimension ( m m )	Gag	Lock & Key	Display	Powder Coated
Storwall	1980 ( H ) X 450 ( D ) X 900 ( W )	20 22	Y	N	Y
Glass Door	1980 ( H ) X 450 ( D ) X 900 ( W )	20 22	Y	N	Y
06 Door	1980 ( H ) X 450 ( D ) X 900 ( W )	20 22	Y	Y	Y
08 Door	1980 ( H ) X 450 ( D ) X 900 ( W )	20 22	Y	Y	Y
09 Door	1980 ( H ) X 450 ( D ) X 900 ( W )	20 22	Y	Y	Y
12 Door	1980 ( H ) X 450 ( D ) X 900 ( W )	20 22	Y	Y	Y
18 Door	1980 ( H ) X 450 ( D ) X 900 ( W )	20 22	Y	Y	Y
24 Door	1980 ( H ) X 450 ( D ) X 900 ( W )	20 22	Y	Y	Y
<b>CUSTOMISED SIZES ARE ALSO AVAILABLE</b>					



# Pallets

## Features

- Stackable
- Customised Dimensions
- Customised Load Capacity
- Minimum Fabrication
- Smooth edges
- Vast Range

## Users

- Industries
- Pharma Industries
- Automobile Industries
- Warehousing
- Logistic companies
- Others

## Benefits

- Material is safe
- Durable
- For storage of material at a fixed place
- For in-house movement of material
- For transportation of material
- Efficient storage capacity

## Vast Range

- Closed Type
- Front Half Foldable
- Closed Wire Mesh
- Closed Perforated
- Small Bins
- Four Sides Foldable/ Collapsible
- Flat Pallets





# Hydraulic Trucks



Dock Level



Hydraulic Hand Pallet Truck



Hydraulic Hand Stacker



Battery Operated Stacker



# Installation Site





# Our Manufacturing





*Dream... Dare... Deliver...*



## **Darshan Industries**

B-25, Chitrakut Bungalows, Opp. Arpan School, Near Nirant Chokdi, Vastral Road,  
Ahmedabad - 382418 (Gujarat)

Telefax : 079 - 22902011    Mobile : 98980 25597, 99749 16372

Email : [darshanindustries\\_1998@yahoo.co.in](mailto:darshanindustries_1998@yahoo.co.in) - [info@darshanindustries.com](mailto:info@darshanindustries.com)

Website : [www.darshanindustries.com](http://www.darshanindustries.com) - [www.storagedi.com](http://www.storagedi.com)

